

☑ Tailor-made Solutions



▲ Precooling concrete mixing plant



▲ Mixing plant with aggregate pretreatment



▲ Mixing plant on water platform

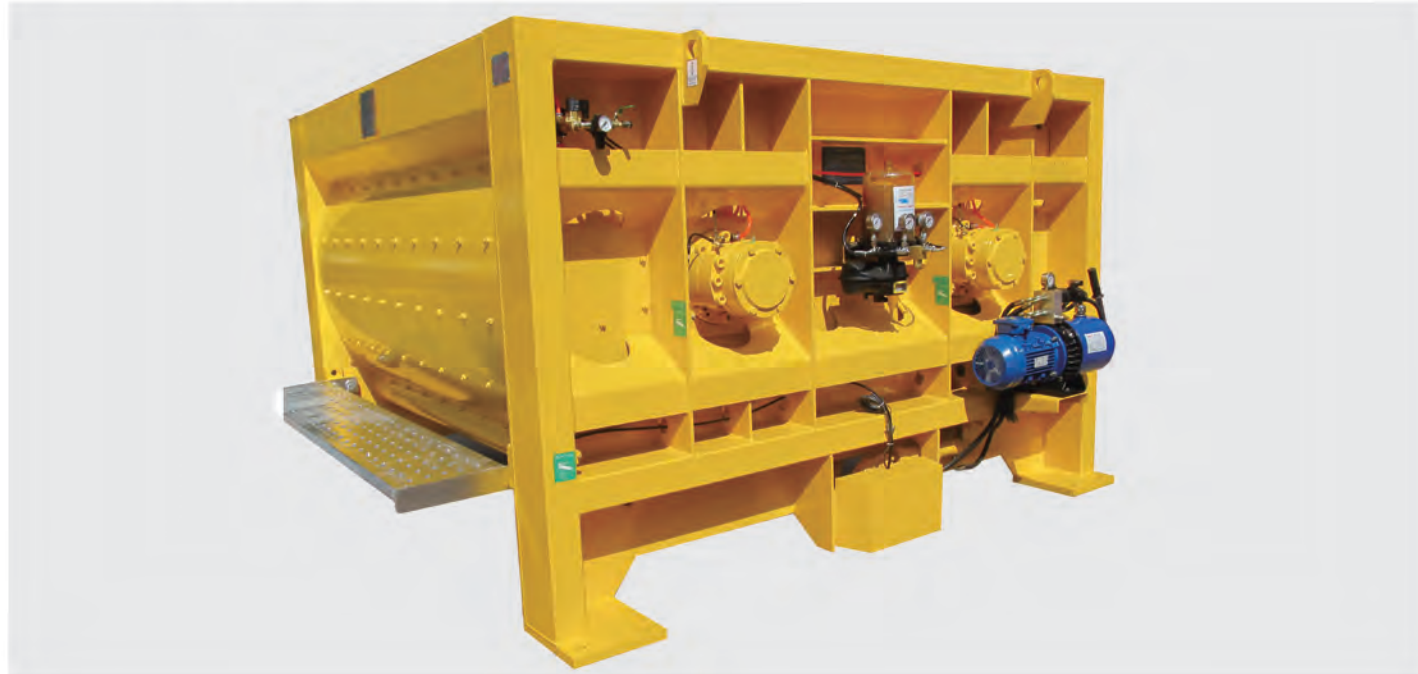


▲ World's largest batching machine, total capacity 1500 m³



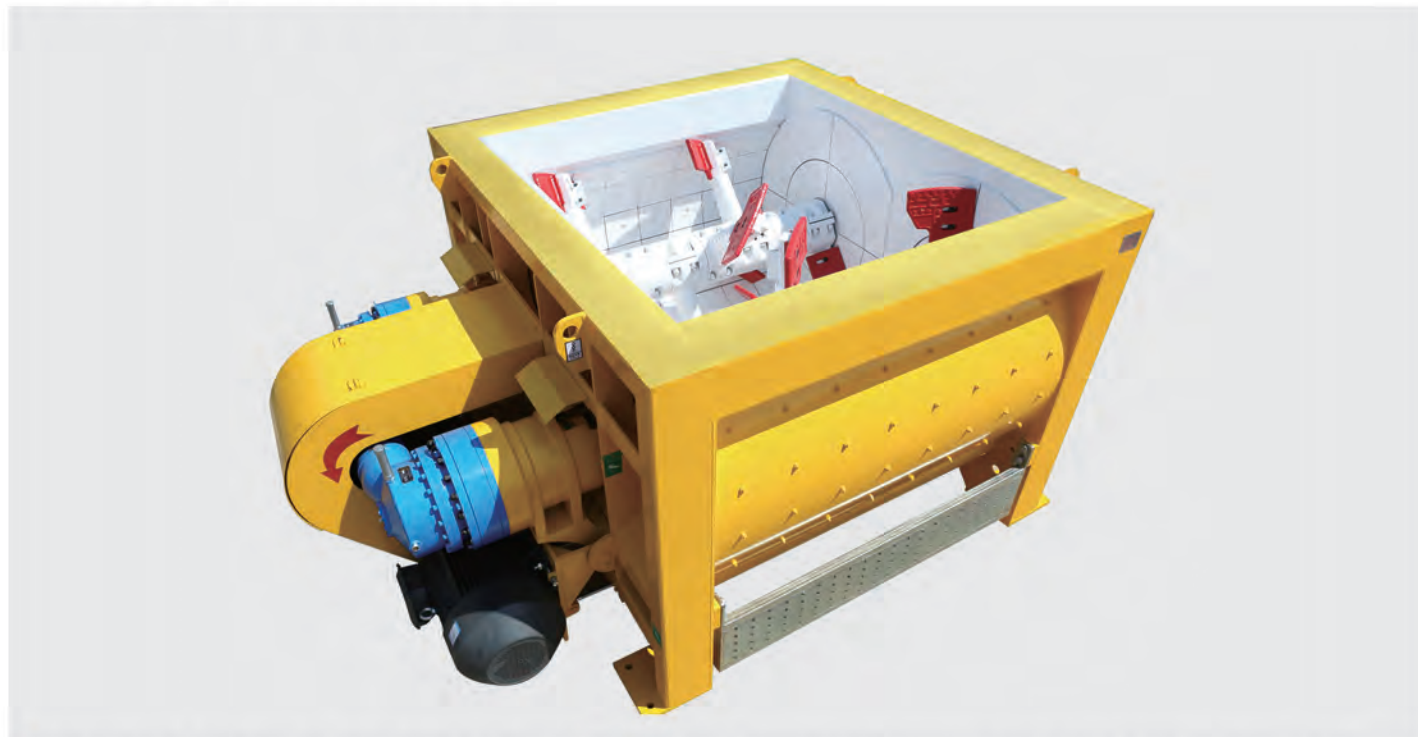
▲ Shipborne mixing plant

☑ Standard Series



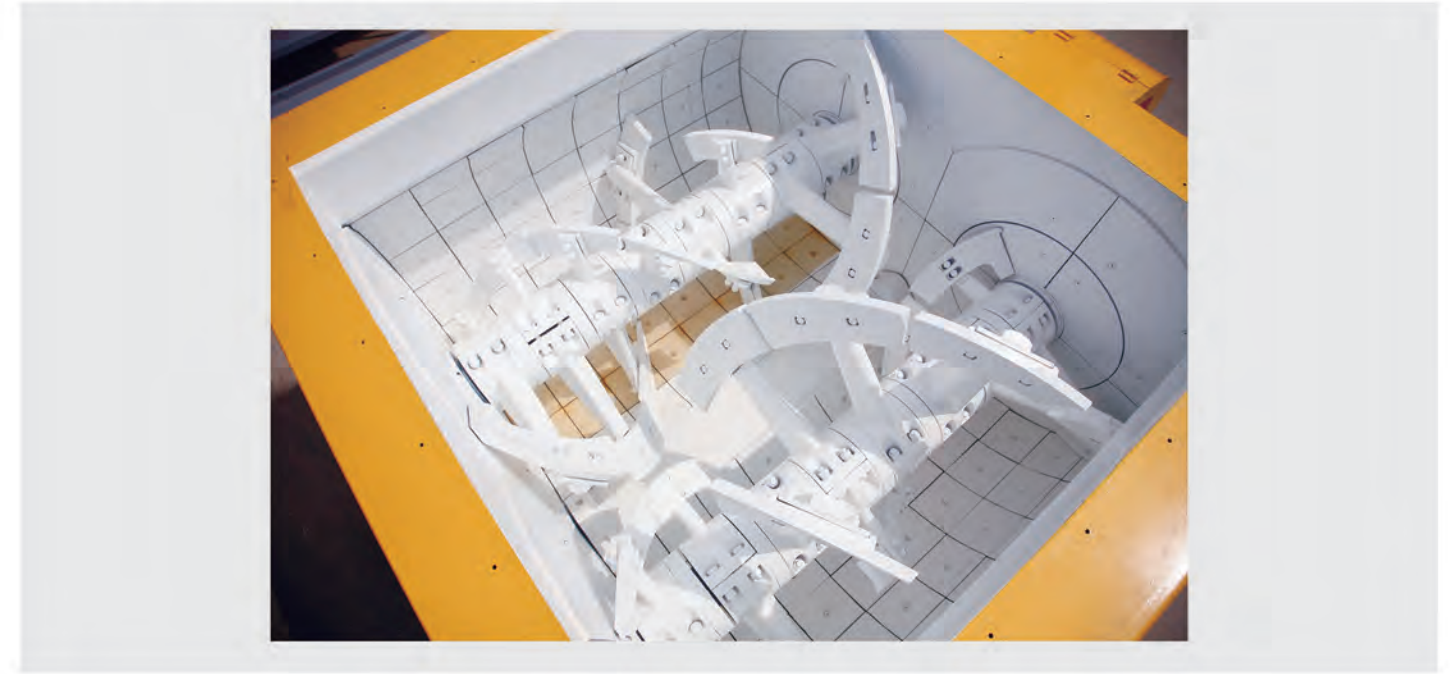
- Durable structure design ensures a long service life.
- Proven design and arrangement of the mixing tools guarantee homogeneous mixing results.
- Multiple mixing shaft seals together with fully automatic central lubrications ensure reliable operations.
- Optimized arrangement of high wear-resistant liners enables much longer service life than others.

☑ Hydro-Dam Series



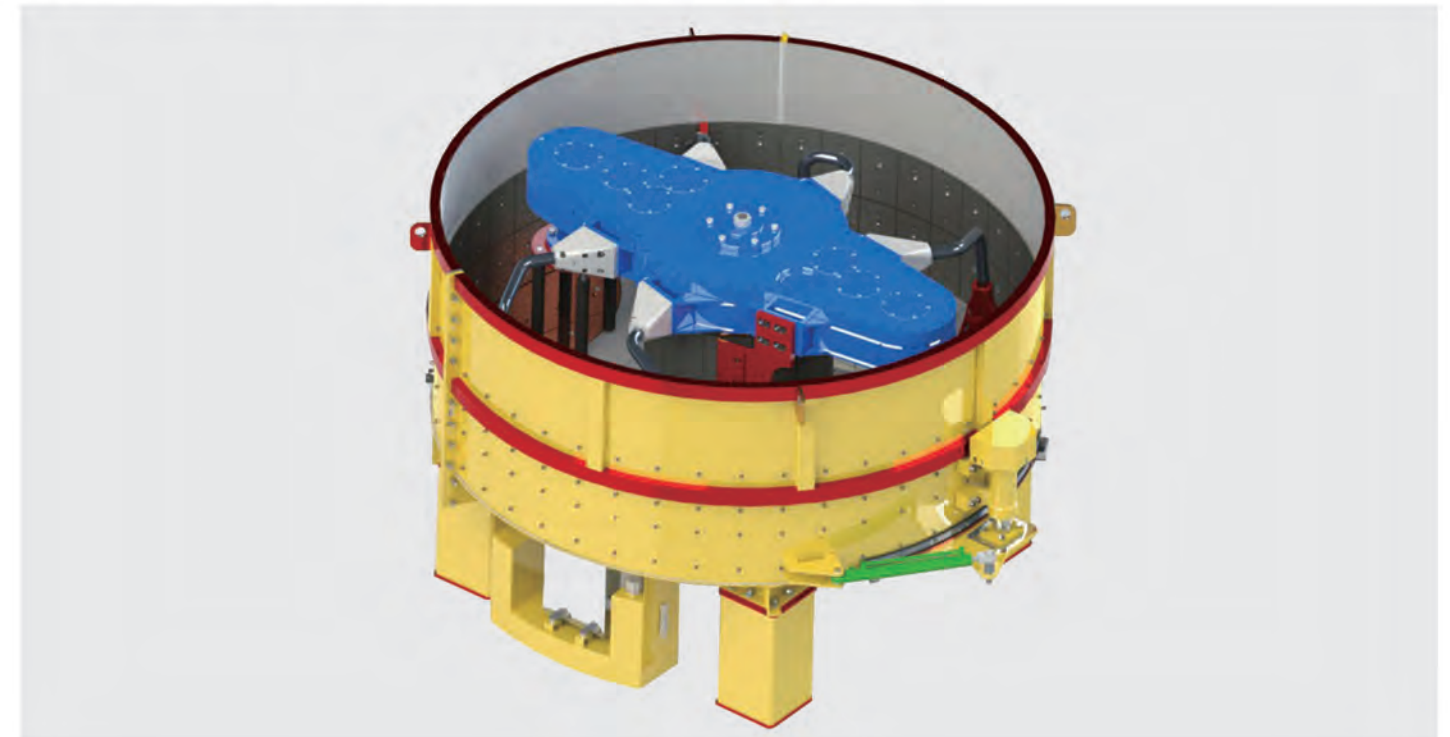
- Optimized designs for the production of large-size aggregate concrete for hydro dam construction.
- Special designed mixing blades guarantee reliable operations.
- Reinforced mixing arm, anti-bending, anti-impact.
- Meet for mixing concrete aggregate with high compressive strength and high corrosion.

☑ Double-Spiral Series

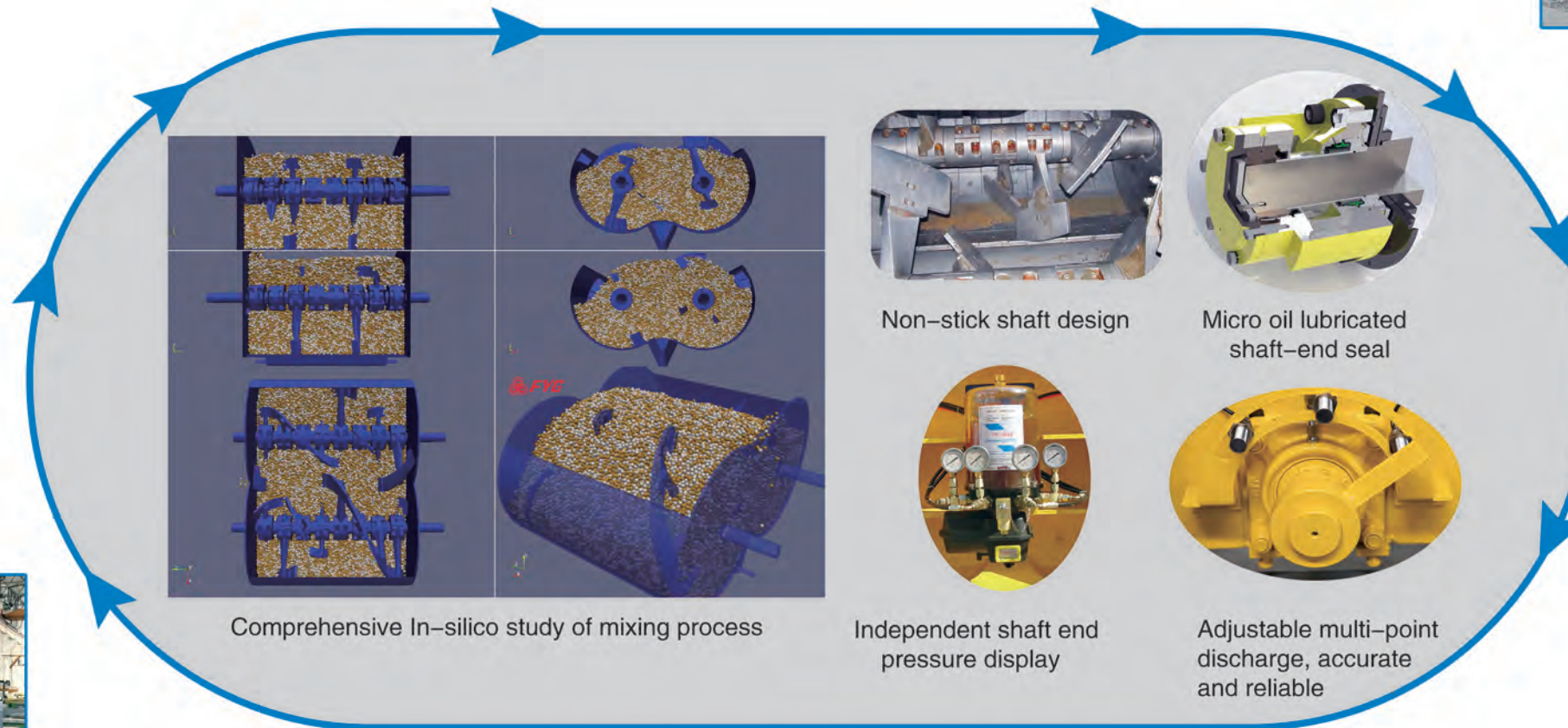


Double-spiral mixing system, with the unique mixing principle, shortened the mixing time, suitable for mixing light-weight concrete and mortar.

☑ Planetary Series



- Effective mixing system with agitators ensures homogeneous mixing in a short time, especially suitable for precast concrete industry.
- Variable mixing speeds enable a wide range of concrete to be manufactured efficiently.
- Flexible arrangement of inlets and discharge gates.
- High reliability and low maintenance effort.



Genuine high-quality wear-resistant parts



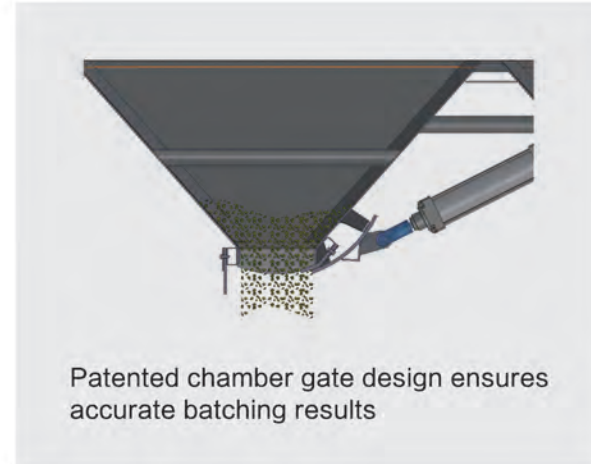
Test running with 10% overloaded dry aggregate

Item	Unit	Mixer parameter					
		JS1000	JS1500	JS2000	JS3000	JS4000	JS5000
Charging	L	1600	2400	3200	4800	6400	9000
Output	L	1000	1500	2000	3000	4000	5000
Nominal output/h	m ³ /h	60	90	120	180	240	300
Mixing arm	Qty.	2 × 8	2 × 9	2 × 8	2 × 9	2 × 8	2 × 10
Motor power	kW	2 × 22	2 × 30	2 × 37	2 × 55	2 × 75	2 × 90
Outline dimension(L × W × H)	mm	2700 × 1970 × 1450	3600 × 2130 × 1475	3510 × 2320 × 1680	3990 × 2600 × 1700	4300 × 2900 × 1900	4700 × 3050 × 2385
Discharge		Hydraulic					

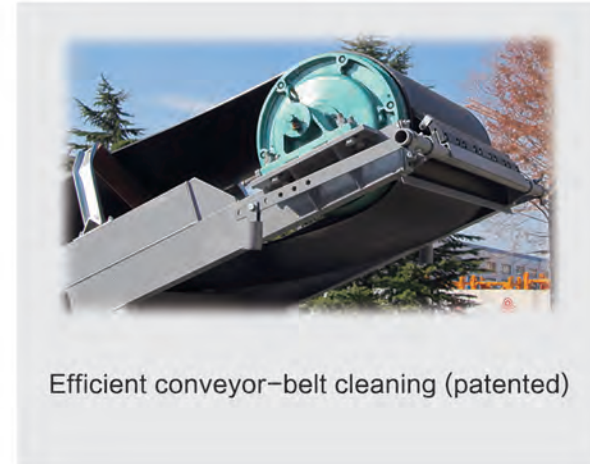
»»» BATCHING SYSTEM



Modular and durable design, easy transport and assembly



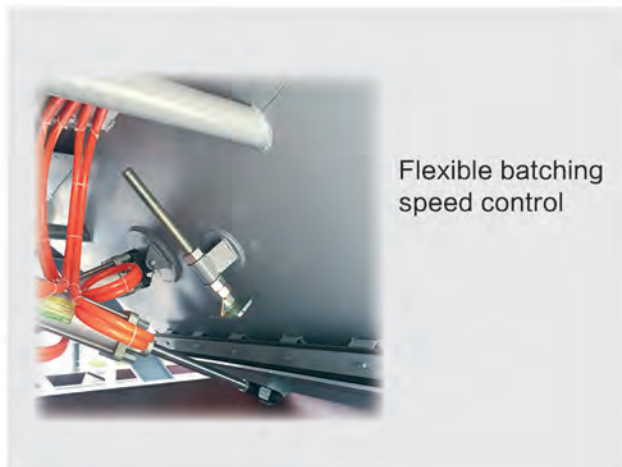
Patented chamber gate design ensures accurate batching results



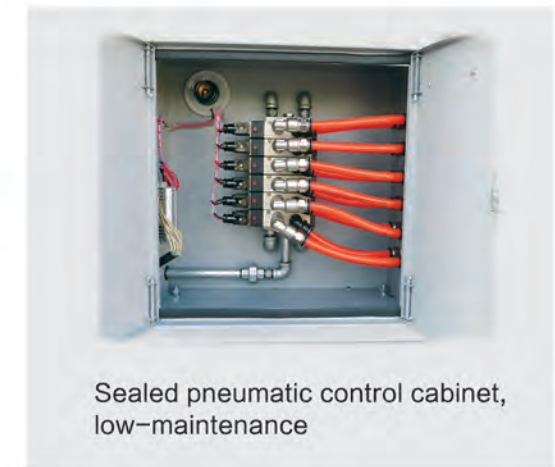
Efficient conveyor-belt cleaning (patented)



Fully-wired and fully-equipped modules, quick to install and easy maintenance



Flexible batching speed control



Sealed pneumatic control cabinet, low-maintenance



Weighing and conveying parts fully-covered (optional), more environmentally-friendly and high safety

Item	Unit	Parameter				
		PLD2400Q-III	PLD2400Q-IV	PLD2400QD-IV	PLD3200QD-IV	PLD4800QD-IV
Nominal volume	L	2400	2400	2400	3200	4800
Aggregate chamber		3×15m ³	4×15m ³	4×15m ³	4×20m ³	4×20m ³
Weighing capacity	kg	3000	3000	4 × 1500	4 × 2000	4 × 3000
Loading height	mm	3530	3530	3630	3820	4120
Loading width	mm	3400	3400	3400	3400	3400
Total power	kW	8	8	8	11.9	11.9
Dimension (L×W×H)	mm	11600 × 3515 × 3880	14975 × 3515 × 3880	15000 × 3515 × 4020	18100 × 3560 × 4825	19055 × 3560 × 5125

SC SERIES FACTORY-WELDED SILOS



- Designed and constructed in high-quality, proven reliability.
- Fast erection & installation.
- Good price/performance ratio due to standardization.

ZSC SERIES BOLTED SILOS



- Absolute stability, even for very high loadings.
- Perfectly leak-proof due to special bolted joints.
- Large volumes possible, individual designs and sizes available.
- Transport advantage.

KSC SERIES SEGMENTED SILOS



- Transport advantage over welded silos.
- Faster installation than normal bolted silos.
- Absolute stability, even for very high loadings.
- Perfectly leak-proof due to special bolted joints.

Item	Substructure height	Substructure center distance	Total height	Silo diameter	Nominal volume
SC100-5.32m	5m	2.06 × 2.06m	18.5m	2.88m	72m ³
SC150-5.32m		2.24 × 2.24m	22.1m	3.16m	110m ³
ZSC100-3.32m	5.8m	2.24 × 2.24m	15.3m	3.16m	73m ³
ZSC150-3.32m		2.24 × 2.24m	19.5m	3.16m	108m ³
ZSC200-3.32m	6m	3.16 × 3.16m	16m	4.44m	145m ³
ZSC300-3.32m	6.46m	3.75 × 3.75m	16.8m	5.30m	230m ³
KSC200-3.32m	5.8m	3.16 × 3.16m	16.5m	4.44m	150m ³
KSC300-3.32m	6.46m	3.75 × 3.75m	17.6m	5.30m	235m ³