

Standard Mixing Plants with Conveyor Loading



▼ HZS180 CONCRETE MIXING PLANT

- High production capacity.
- Easy operation and maintenance in wide areas.
- High efficiency.
- Flexibility in configuration.
- Conformity with special site layouts.

Compact Mixing Plants with Skip Loading



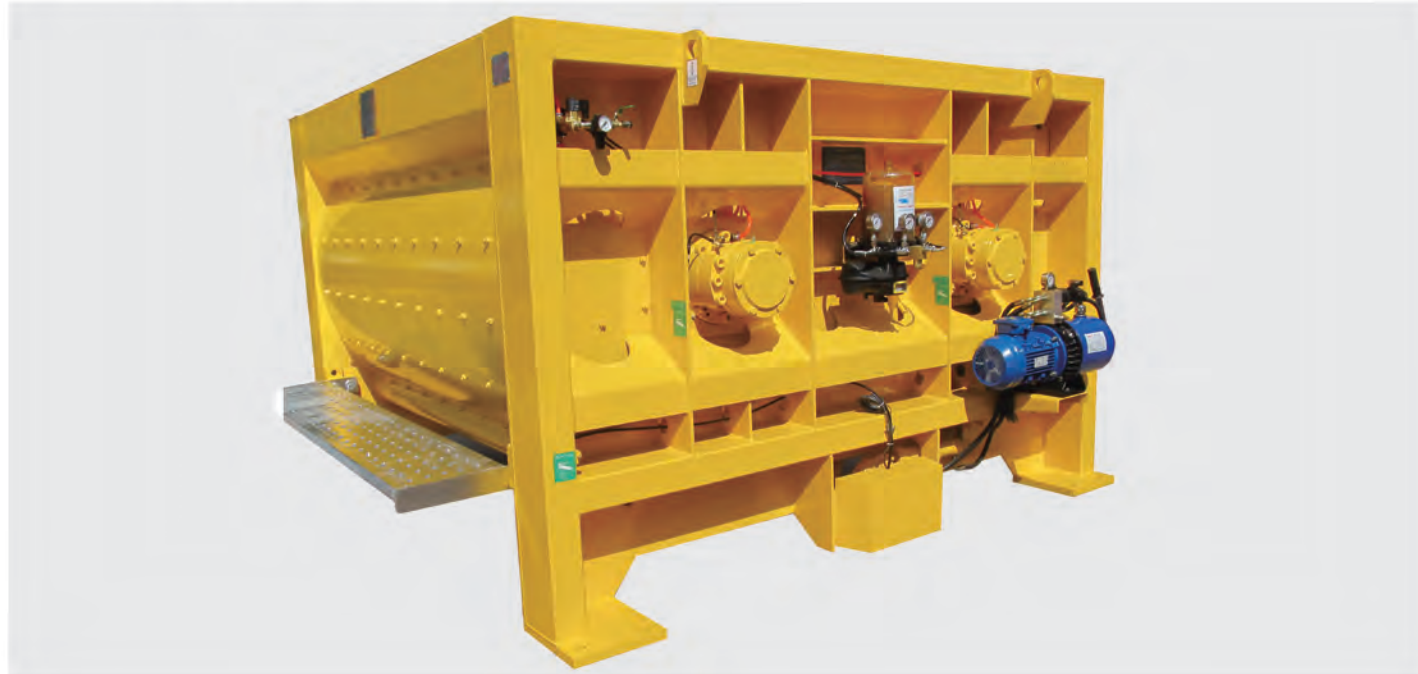
▼ HZS75 CONCRETE MIXING PLANT

- Small space, great performance.
- Versatile, economical, durable.
- compact dimension.

Item	Unit	HZS60	HZS90	HZS120	HZS180	HZS240	HZS300
Nominal output/h	m ³ /h	60	90	120	180	240	300
Mixer charging	m ³	1	1.5	2	3	4	5
Batching machine		PLD1600Q-III	PLD2400Q-IV	PLD3200QD-IV	PLD4800QD-IV	PLD6400QD-IV	PLD8000QD-IV
Aggregate storage bins charging	m ³	7	15	15	20	25	25
Aggregate storage bins qty.	pc	3	4	4	4	4	4
Aggregate weighing capacity	kg	2000	3000	4x2000	4x3000	4x4000	4x6000
Cement weighing capacity	kg	600	1000	1200	1600	2200	3000
Flyash weighing capacity	kg	/	300	400	600	800	1000
Water weighing capacity	kg	250	400	500	800	1000	1400
Additive weighing capacity	kg	40	40	50	80	100	150
Mixer power	kW	37	2x30	2x37	2x55	2x75	2x90
Belt conveyor power	kW	15	15	30	45	55	75
Total power	kW	80	110	150	200	260	320
Mixer discharge height	m	3.8	3.8	3.8	4.1	4.1	4.1
Total weight	t	32	39	60	72	78	90
Outline dimension(L x W x H)	m	31.4x15.4x19.4	26.6x21x19.4	46.7x23x20	43.5x21x20	43.5x24x20	43.5x24x20
Loading		Belt conveyor					
Weighing accuracy	Aggregate	%	±2	±2	±2	±2	±2
	Powder	%	±1	±1	±1	±1	±1
	Water	%	±1	±1	±1	±1	±1
	Additive	%	±1	±1	±1	±1	±1

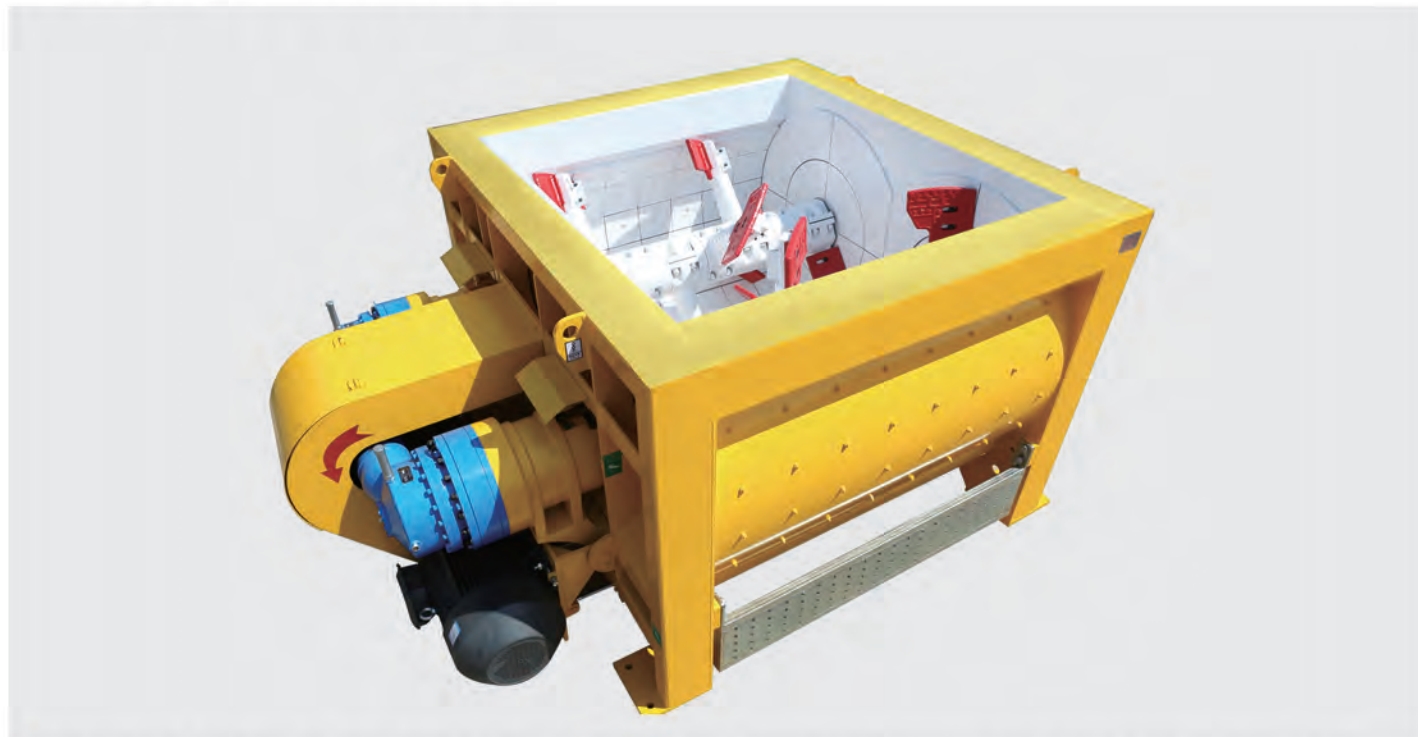
Item	Unit	HZS25	HZS35	HZS50	HZS75
Nominal output/h	m ³ /h	25	35	50	75
Mixer charging	m ³	0.5	0.75	1	1.5
Batching machine		PLD800	PLD1200-III	PLD1600-III	PLD2400Q-III
Aggregate storage bins charging	m ³	3	3	7	15
Aggregate storage bins qty.	pc	2	3	3	3
Aggregate weighing capacity	kg	1000	2000	3000	4000
Cement weighing capacity	kg	300	400	600	1000
Flyash weighing capacity	kg	/	/	/	/
Water weighing capacity	kg	/	200	250	400
Additive weighing capacity	kg	/	40	40	40
Mixer power	kW	18.5	30	37	45
Belt conveyor power	kW	5.5	7.5	11	18.5
Total power	kW	35	60	80	90
Mixer discharge height	m	3.8	3.8	3.8	3.8
Total weight	t	7.4	13	32	24
Outline dimension(L x W x H)	m	8.4x6.2x7.9	15.2x9.4x19.2	15.4x12.3x19.2	28.1x11x19.2
Loading		Skip hoist			
Weighing accuracy	Aggregate	%	±2	±2	±2
	Powder	%	±1	±1	±1
	Water	%	/	±1	±1
	Additive	%	/	±1	±1

Standard Series



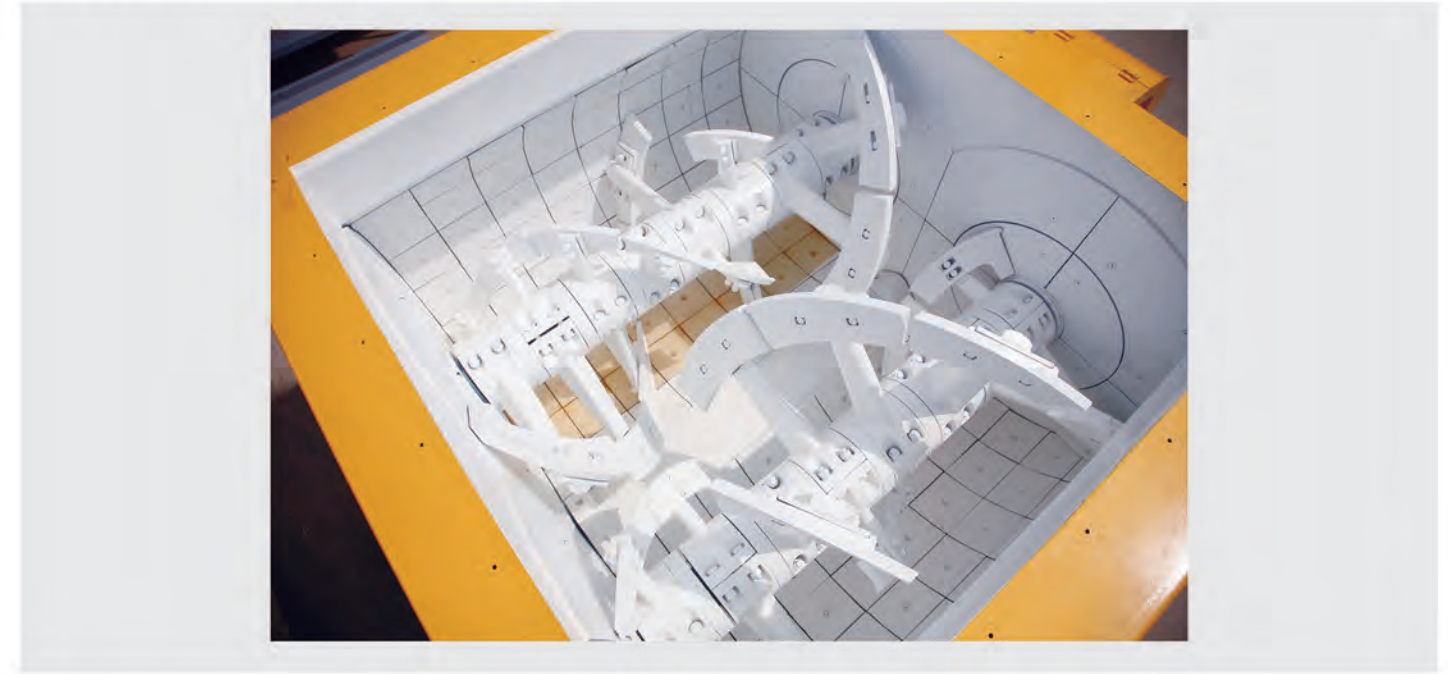
- Durable structure design ensures a long service life.
- Proven design and arrangement of the mixing tools guarantee homogeneous mixing results.
- Multiple mixing shaft seals together with fully automatic central lubrications ensure reliable operations.
- Optimized arrangement of high wear-resistant liners enables much longer service life than others.

Hydro-Dam Series



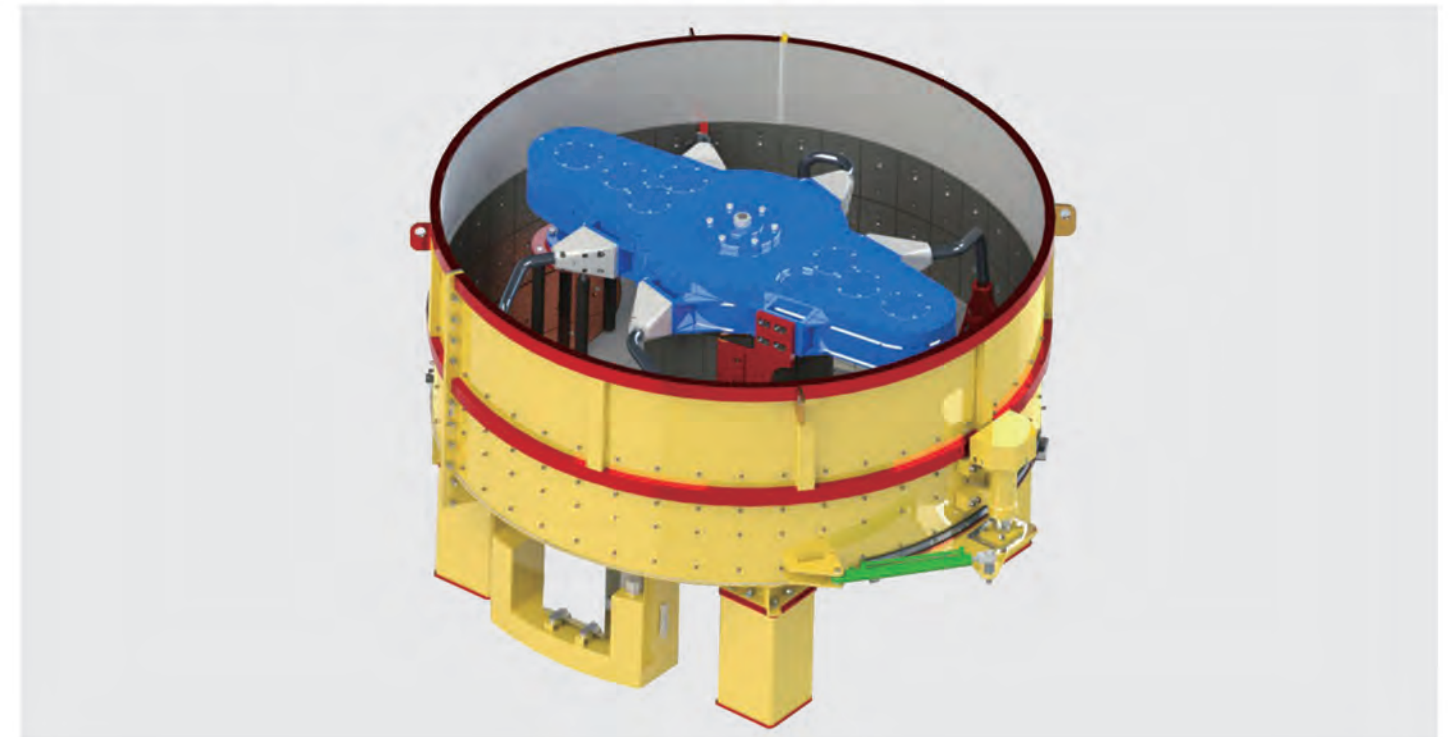
- Optimized designs for the production of large-size aggregate concrete for hydro dam construction.
- Special designed mixing blades guarantee reliable operations.
- Reinforced mixing arm, anti-bending, anti-impact.
- Meet for mixing concrete aggregate with high compressive strength and high corrosion.

Double-Spiral Series

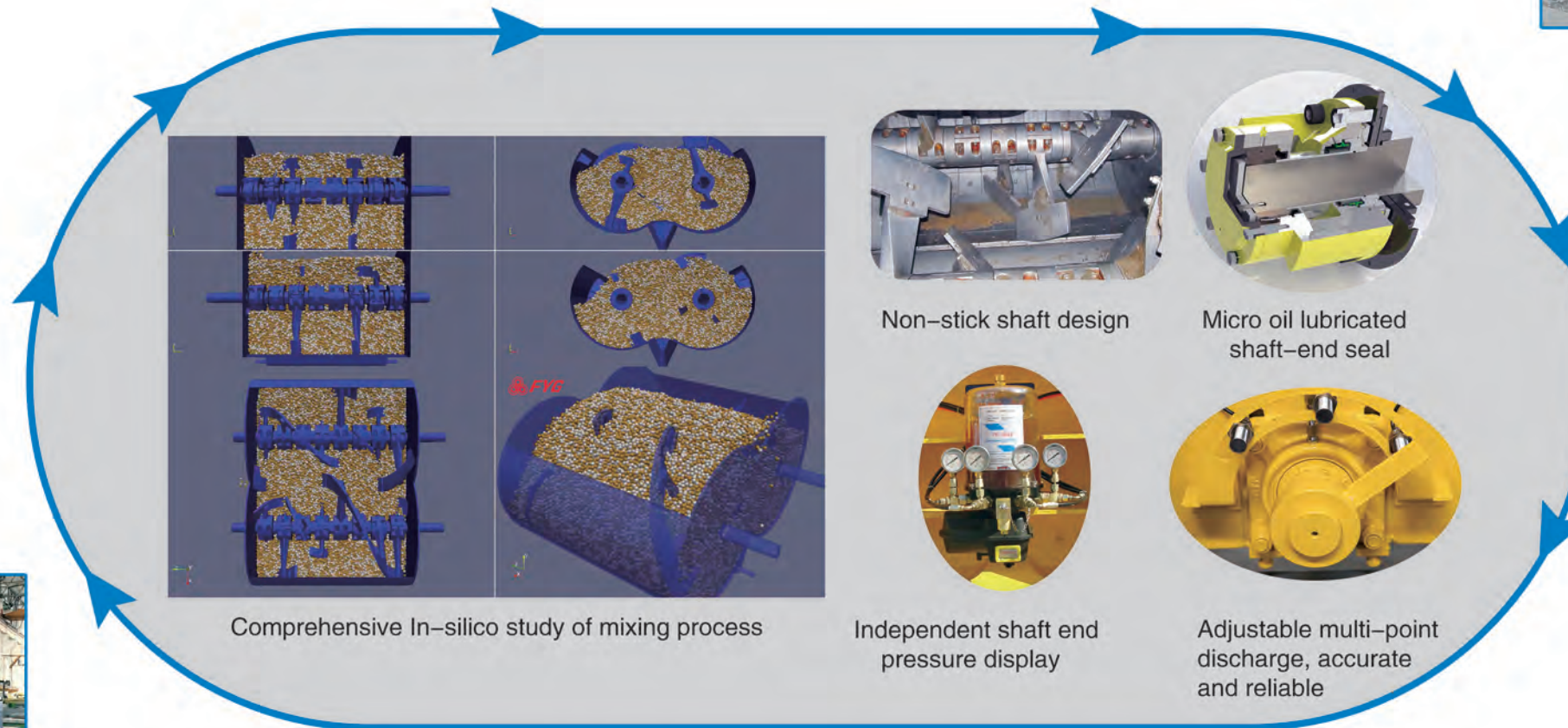
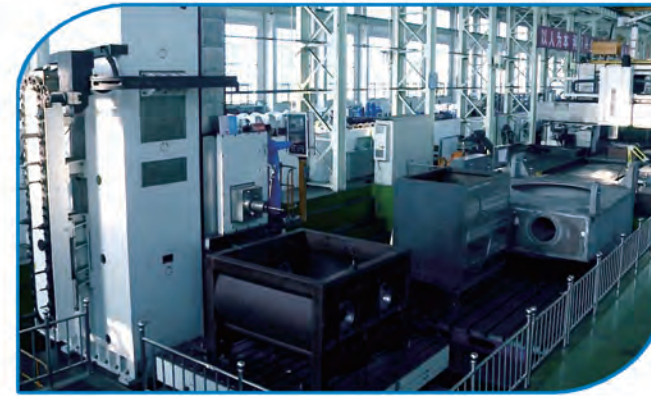


Double-spiral mixing system, with the unique mixing principle, shortened the mixing time, suitable for mixing light-weight concrete and mortar.

Planetary Series



- Effective mixing system with agitators ensures homogeneous mixing in a short time, especially suitable for precast concrete industry.
- Variable mixing speeds enable a wide range of concrete to be manufactured efficiently.
- Flexible arrangement of inlets and discharge gates.
- High reliability and low maintenance effort.



Genuine high-quality wear-resistant parts



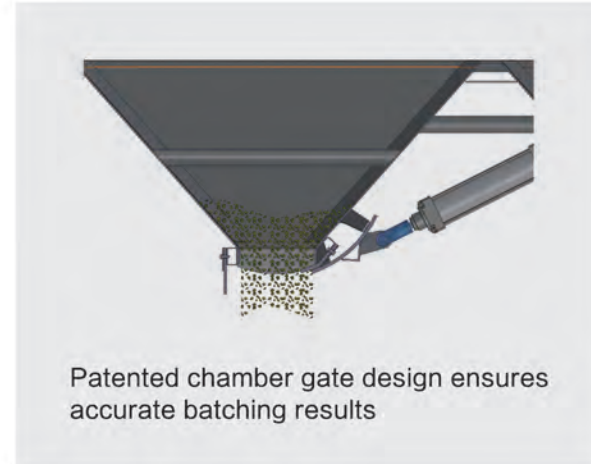
Test running with 10% overloaded dry aggregate

Item	Unit	Mixer parameter					
		JS1000	JS1500	JS2000	JS3000	JS4000	JS5000
Charging	L	1600	2400	3200	4800	6400	9000
Output	L	1000	1500	2000	3000	4000	5000
Nominal output/h	m ³ /h	60	90	120	180	240	300
Mixing arm	Qty.	2 × 8	2 × 9	2 × 8	2 × 9	2 × 8	2 × 10
Motor power	kW	2 × 22	2 × 30	2 × 37	2 × 55	2 × 75	2 × 90
Outline dimension(L × W × H)	mm	2700 × 1970 × 1450	3600 × 2130 × 1475	3510 × 2320 × 1680	3990 × 2600 × 1700	4300 × 2900 × 1900	4700 × 3050 × 2385
Discharge		Hydraulic					

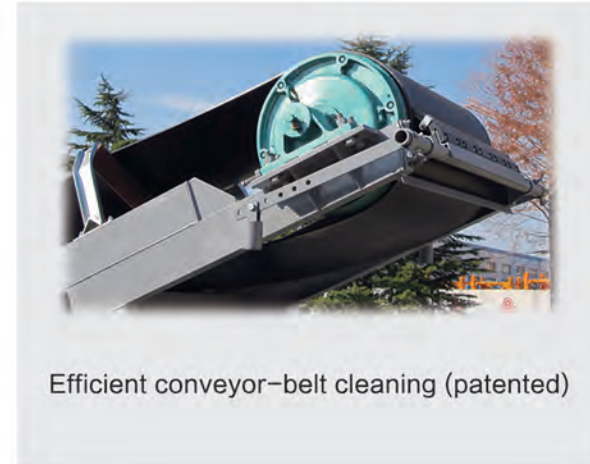
»»» BATCHING SYSTEM



Modular and durable design, easy transport and assembly



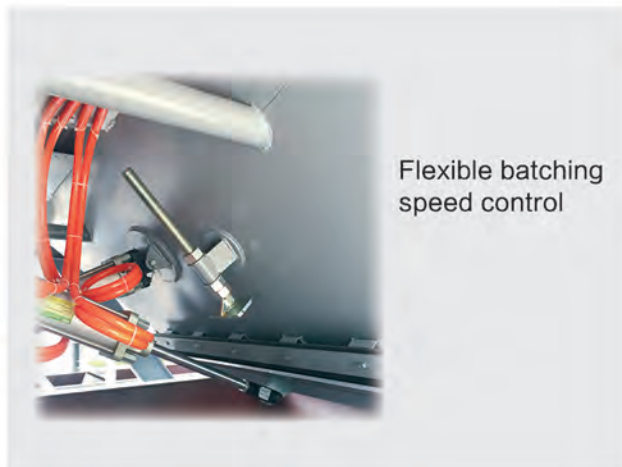
Patented chamber gate design ensures accurate batching results



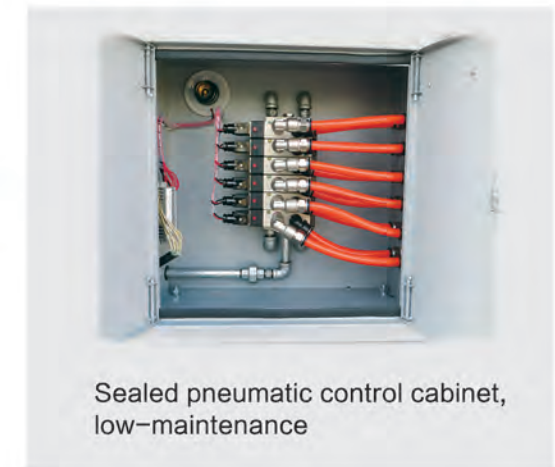
Efficient conveyor-belt cleaning (patented)



Fully-wired and fully-equipped modules, quick to install and easy maintenance



Flexible batching speed control



Sealed pneumatic control cabinet, low-maintenance



Weighing and conveying parts fully-covered (optional), more environmentally-friendly and high safety

Item	Unit	Parameter				
		PLD2400Q-III	PLD2400Q-IV	PLD2400QD-IV	PLD3200QD-IV	PLD4800QD-IV
Nominal volume	L	2400	2400	2400	3200	4800
Aggregate chamber		3×15m ³	4×15m ³	4×15m ³	4×20m ³	4×20m ³
Weighing capacity	kg	3000	3000	4 × 1500	4 × 2000	4 × 3000
Loading height	mm	3530	3530	3630	3820	4120
Loading width	mm	3400	3400	3400	3400	3400
Total power	kW	8	8	8	11.9	11.9
Dimension (L×W×H)	mm	11600 × 3515 × 3880	14975 × 3515 × 3880	15000 × 3515 × 4020	18100 × 3560 × 4825	19055 × 3560 × 5125

SC SERIES FACTORY-WELDED SILOS



- Designed and constructed in high-quality, proven reliability.
- Fast erection & installation.
- Good price/performance ratio due to standardization.

ZSC SERIES BOLTED SILOS



- Absolute stability, even for very high loadings.
- Perfectly leak-proof due to special bolted joints.
- Large volumes possible, individual designs and sizes available.
- Transport advantage.

KSC SERIES SEGMENTED SILOS



- Transport advantage over welded silos.
- Faster installation than normal bolted silos.
- Absolute stability, even for very high loadings.
- Perfectly leak-proof due to special bolted joints.

Item	Substructure height	Substructure center distance	Total height	Silo diameter	Nominal volume
SC100-5.32m	5m	2.06 × 2.06m	18.5m	2.88m	72m ³
SC150-5.32m		2.24 × 2.24m	22.1m	3.16m	110m ³
ZSC100-3.32m	5.8m	2.24 × 2.24m	15.3m	3.16m	73m ³
ZSC150-3.32m		2.24 × 2.24m	19.5m	3.16m	108m ³
ZSC200-3.32m	6m	3.16 × 3.16m	16m	4.44m	145m ³
ZSC300-3.32m	6.46m	3.75 × 3.75m	16.8m	5.30m	230m ³
KSC200-3.32m	5.8m	3.16 × 3.16m	16.5m	4.44m	150m ³
KSC300-3.32m	6.46m	3.75 × 3.75m	17.6m	5.30m	235m ³